

Fansbe Tech A26 Wireless Bluetooth Karaoke Machine



# Fansbe Tech A26 Wireless Bluetooth Karaoke Machine User Manual

[Home](#) » [Fansbe Tech](#) » Fansbe Tech A26 Wireless Bluetooth Karaoke Machine User Manual 

## Contents

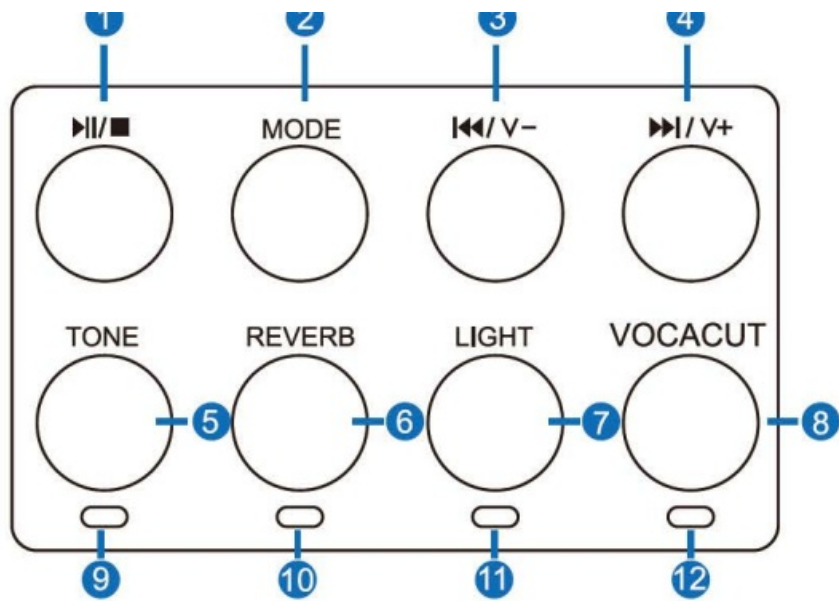
- [1 Fansbe Tech A26 Wireless Bluetooth Karaoke Machine](#)
- [2 Product Diagram](#)
- [3 How to use the karaoke machine?](#)
- [4 How to use the microphone?](#)
- [5 Regarding charging](#)
- [6 FAQs](#)
- [7 FCC Caution](#)
- [8 Documents / Resources](#)
  - [8.1 References](#)

# Fansbe Tech

Fansbe Tech A26 Wireless Bluetooth Karaoke Machine

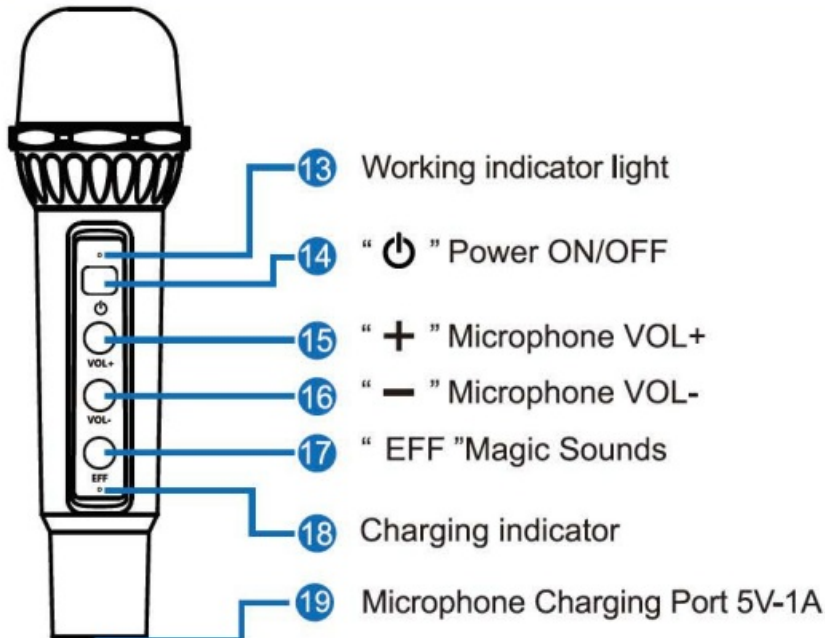


**Product Diagram**

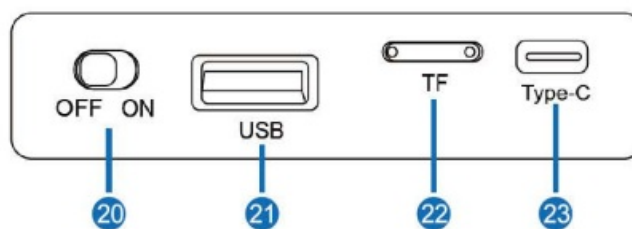


1 ▶  ■	Play/Pause : Short press to play/pause music.
2 MODE	Short press to switch Bluetooth/TF card/U disk.
3 ◀◀/V-	Short press to turn down the volume of the speaker; Long press to switch to the previous song.
4 ▶▶/V+	Short press to turn up the volume of the speaker. Long press to switch to the next song.
5 TONE	Short press to switch between 6 magic sounds. Long press 2-3S to delete/restore magic sounds.
6 REVERB	Short press to activate reverb.
7 LIGHT	Long press to turn on/off the light; Short press to toggle lights with different effects
8 VOCACUT	Short press to eliminate the original vocals from the song.

9	Karaoke Machine Charging Indicator Light
10	Bluetooth Connection Indicator Light
11	Microphone A Connection Indicator Light
12	Microphone B Connection Indicator Light
Note: When Bluetooth or microphone is successfully connected, the indicator light will remain steady.	



13	Working indicator light
14	Long press to switch the microphone ON/OFF; Short press to turn on/off the VOCACUT function.
15	Short press to turn up the microphone volume.
16	Short press to turn down the microphone volume.





20		Toggle to switch ON/OFF.
21		USB flash memory disk port
22		TF card interface
23		Type-C charging port

## How to use the karaoke machine?

1. **Power ON/OFF:** Toggle the ON/OFF button.
2. **Bluetooth Connection:** Turn on the karaoke machine and the blue The bluetooth indicator light will start

flashing. You'll hear a voice prompt saying,

The Bluetooth device is ready to pair.'Open your Bluetooth device, find 'A26' in the list, and click to pair. When you hear a piece of music, it means Bluetooth is connected, and the blue indicator light stops flashing.

3. **Mode switch:** short press the "MODE" to switch the playback mode (mainly refers to switching to the TF card /U disk to play music).
4. **Previous/Next Song:** Long press   and hold for 2-3s to switch to the next/previous song.
5. Play music through TF card/U disk: Prepare a micro SD card/U disk full of MP3 songs, insert the card into the TF card/U disk slot of the karaoke machine, short press the "MODE" button, and it will play automatically.

## How to use the microphone?

### 1. Power on/off

- Long press the power button to switch the microphone ON/OFF.
- When the microphone and karaoke machine are on at the same time they will be connected automatically.

### 2. How to adjust the volume of the microphone?

- Short press the "\*" "-" button to turn up/down the volume of the microphone.

### 3. Magic sound effects

- Short press the "EFF" button to switch between 6 magic sounds.
- Long press the "EFF" button for 2-3S to delete/restore magic sounds.

### 4. How to remove the original vocals from a song?

- Short press the power button on the microphone briefly to eliminate the original vocals from the song.

## Regarding charging

1. The product will automatically power off when the battery is too low.
2. Use a DC 5V charger and the included USB cable to charge.
  - While charging, the charging indicator light on the karaoke machine/microphone turns red; it turns off when fully charged.
3. **Karaoke machine:** full charge takes about 3 hours. Microphone: about 1 hour. Both provide 3-5 hours of use.
4. Use the correct cable and voltage to prevent damage.
5. If unused for a while, charge every 3 months to prevent battery damage.

## FAQS

### Howling

Check if the microphone is too close to the speaker's area. To avoid howling, please do not keep microphone head too close to the speaker. If too close, it will make sharp and strange sounds, which is relatively common sound feedback, so try to avoid microphones close to karaoke machines.

Bluetooth can't be paired

Press the MODE button to switch Bluetooth mode first. Distant Bluetooth connection, try to adjust the distance between the karaoke machine and the phone. The karaoke machine is already paired with another phone device. First, turn off the Bluetooth of other phones restart the karaoke machine, and try to pair it with the phone again.

The Microphone is no sound

Try to charge the mic then use it. Try to long press the power button of the microphone to turn it on.

The karaoke machine no sound when playing music

Check whether the Bluetooth is connected successfully. Check if the phone volume is turned up.

Presence of noise

For environmental noise or mobile phone signal interference, adjust the distance between the karaoke machine and the cellphone and adjust the distance between the mic and the machine.

Long press the power button and the karaoke machine mic indicator does not light up

Try to charge the device mic and use it.

## Service Description

- No worrying about this purchase!
- 30-day No Reason money back guarantee, 1-year warranty, and 24-hour friendly customer service. Any assistance is needed, pls not hesitate to contact us
- [FansbeTech\\_services@outlook.com](mailto:FansbeTech_services@outlook.com)
- [www.fansbetech.com](http://www.fansbetech.com)
- If you want to help us improve the product better, we are more than happy to hear from you and provide 6 months warranty to you for free.

- Thanks for your support!

## **FCC Caution**

This device complies with part 15 of the FCC Rules. Operation is subject to the following two conditions:

1. This device may not cause harmful interference
2. this device must accept any interference received, including interference that may cause undesired operation.

Any Changes or modifications not expressly approved by the party responsible for compliance could void the user's authority to operate the equipment.

**Note:** This equipment has been tested and found to comply with the limits for a Class B digital device, pursuant to part 15 of the FCC Rules.

These limits are designed to provide reasonable protection against harmful interference in a residential installation. This equipment generates uses and can radiate radio frequency energy and, if not installed and used under the instructions, may cause harmful interference to radio communications. However, there is no guarantee that interference will not occur in a particular installation. If this equipment does cause harmful interference to radio or television reception, which can be determined by turning the equipment off and on, the user is encouraged to try to correct the interference by one or more of the following measures:

- Reorient or relocate the receiving antenna.
- Increase the separation between the equipment and the receiver.
- Connect the equipment to an outlet on a circuit diferent from that to which the receiver is connected
- Consult the dealer or an experienced radio/TV technician for help.

The device has been evaluated to meet general RF exposure requirements.  
The device can be used in portable exposure conditions without restriction.

## **IC Caution:**

This device complies with Industry Canada's licence-exempt RSSs. Operation is subject to the following two conditions:

1. This device may not cause interference;
2. This device must accept any interference, including interference that may cause undesired operation of the device.

The device has been evaluated to meet general RF exposure requirements. The device can be used in portable exposure conditions without restriction.

- [FansbeTech\\_services@outlook.com](mailto:FansbeTech_services@outlook.com)
- (1)[877-355-7380](tel:877-355-7380)



[Fansbe Tech A26 Wireless Bluetooth Karaoke Machine](#) [pdf] User Manual  
A26 Wireless Bluetooth Karaoke Machine, A26, Wireless Bluetooth Karaoke Machine, Bluetooth Karaoke Machine, Karaoke Machine, Machine

## References

- [User Manual](#)

[Manuals+](#), [Privacy Policy](#)

This website is an independent publication and is neither affiliated with nor endorsed by any of the trademark owners. The "Bluetooth®" word mark and logos are registered trademarks owned by Bluetooth SIG, Inc. The "Wi-Fi®" word mark and logos are registered trademarks owned by the Wi-Fi Alliance. Any use of these marks on this website does not imply any affiliation with or endorsement.