



Instruction Manual

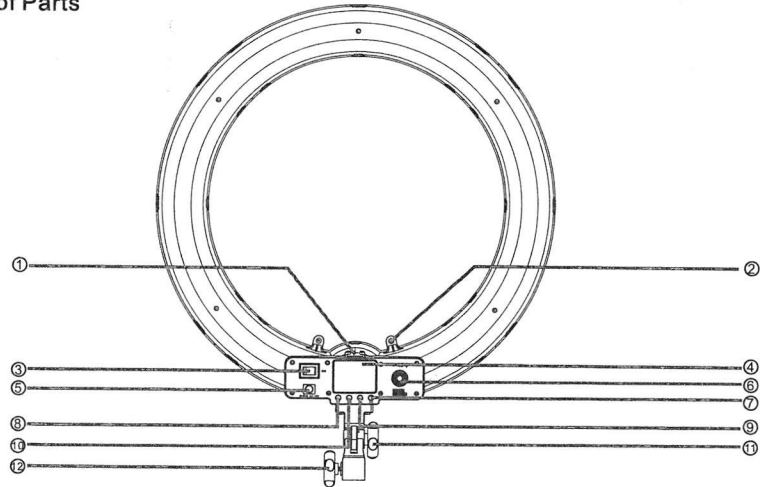
Overview

Before using this product, you must read the manual and fully understand how to use it and ensure that you can easily handle the operation method and also use it properly.

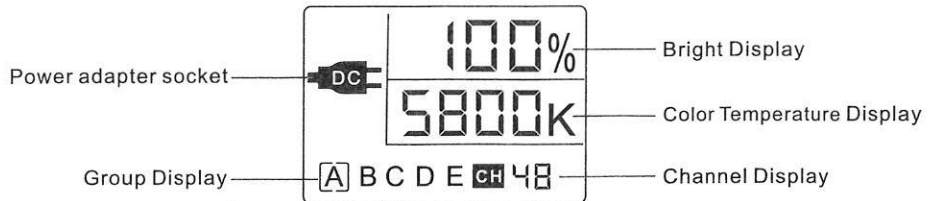
Product Introduction

Model	R45c	
Light Source	CRI	Ra: >97
	TLCI	Qa: >99
	Angle	120 °
	Color Temperature	3000K-5800K
Brightness parameters	0.5 meter	4800Lux
Electric parameters	Working current	4A
	Operating voltage	DC 14-18V
	Power	Constant power 55W (3000K=55W 5800K=55W)
Control system	Remote radio frequency	2.4GHz
	Wireless channel	48 CH
	Wireless group	5 groups
	Control distance	50M
	Brightness adjustment	1~100% and 1%.25%.50%.75%.100%
	Display	LCD 2.1in
Appearance	Size	Outer Diameter:19"/48.5CM Inner Diameter: 15"/38.5CM
	Material	Aluminum alloy + plastic
	Heat-dissipating method	Aluminum alloy plus natural convection
	Net Weight	1.7KG

Name of Parts




- ① Hot Shoe Screw Mount ② Mirror Installation Slot ③ Power Switch ④ LCD Display
- ⑤ Adapter Socket ⑥ Bright and Color Adjust Switch ⑦ Channel Setting ⑧ Group Setting
- ⑨ Remote Control ⑩ Quick Brightness Adjust ⑪ Lock Knob ⑫ Angle Adjustable Knob




Operate Instruction

1. Turn On:

① Adapter Supply: Please connect the adapter socket [] with DC adapter, then plug the adaptor cable to the power socket and connect it with 110v60Hz or 220V50Hz, press the power switch to turn on the ring light. Note: After turned on the power, the light work as last settings. The monitor display the existing parameters.


2. Brightness/Color temperature Adjust Dial:

① Rotate the switch to adjust the ring light's brightness, LCD display will show the existing brightness level at the same time, which can be adjusted range from 1% to 100%. Press the button in the middle of the adjust switch [], switch to color temperature mode. Rotate the switch again to change the color temperature between 3000K - 5800K.

② Press the Quick Brightness Adjust button to adjust power in the recycle of 1%,25%,50%,75%, and 100%.

Note: The first adjustment will increase the power of the light from the existing power to the closest power. Note: Adjusting the power of any one of the light will be synchronized to another lights which under the same channel and group.

3. Channel and Group Setting:

① Press Channel Setting button [CH], the "CH" on display will flash, then rotate the adjust switch [] to change the channel between CH01 to CH48, press the Channel Setting button or wait 4 seconds to confirm the channel.

② Press Group Setting button [GP] to change the group, there is totally A, B, C, D, E groups and display shows the existing group. When switching to the different group, the ring light will adjust the brightness based on the last save parameters of the group.

1) This light can be set channel between 1 to 48, no interference if the lights in different channel.

2) This light can be set group between A, B, C, D, E, each group of lights can be matched with other lights under the same group.

3) You need to set the same channel when you wanna wireless control all the lights under same group.

Note: Adjusting the power of any one of the light will be synchronized to another lights which under the same channel and group.

4. Wireless Control:

① Make sure the master and slave light in the same channel.

② When adjusting the brightness of the same group of lights, you only need to adjust any one of the same group of lights, the other lights in the same group of the same channel will be adjusted synchronously.

③ Brightness adjust in the different group

● Enter to Remote Control mode: Press the Remote Control button, the current controlled group icon on the display will flash.

■ Press Group Setting button to switch to the group what you want to adjust.

■ You can adjust the brightness when the controlled group icon flash.

● Press Remote Control button again or wait 4 seconds to exit the remote control mode.

5. Turn off the light power, the current parameters settings are automatically saved.

Thank you for choosing Pixel Enterprise Limited product and reading this user manual. If there are any other questions, please consult the local dealer or search on our website <http://www.pixelhk.com>

